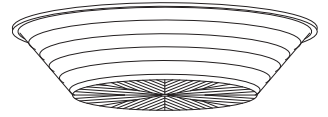


# DROP LENSES

Models 350, 351, 360 and 361



Model 351



## Models 350, 351, 360 and 361

15.9" diameter  
Depth: 3.50"

INDUSTRIAL AND COMMERCIAL  
LIGHTING APPLICATIONS

SEMI-DIRECT,  
SYMMETRICAL DISTRIBUTION

Model 351  
Semi-Direct  
Efficiency: 88.9%

Materials: Acrylic,  
Acrylic Moon Glow™,  
and Polycarbonate

## Description

These 16" diameter drop lenses are designed for use with vertical burning HID lamps in 16" diameter reflectors, in medium-bay and low-bay industrial and commercial lighting applications. These lenses produce excellent illumination and uniformity when combined with our Model 816 Reflexor®. Models 350 (with lifting prisms) and 351 (without lifting prisms) are ultraviolet stabilized acrylic lenses for high efficiency operation in general applications. Models 360 (with lifting prisms) and 361 (without lifting prisms) are polycarbonate lenses for use in areas where breakage is a concern.

## Lamp Data

These drop lenses are used with up to 250W HID lamps. To avoid detrimental internal reflections and high temperatures inside the drop lens, proper luminaire design is required. Thermal testing should be conducted on each luminaire, with the proposed light source in its selected position to confirm lamp size suitability, or to predict service life of the lens.

## Ordering Information

Please call 877-257-5841 for price and delivery. Typical lead time is four to six weeks.

## Service Life

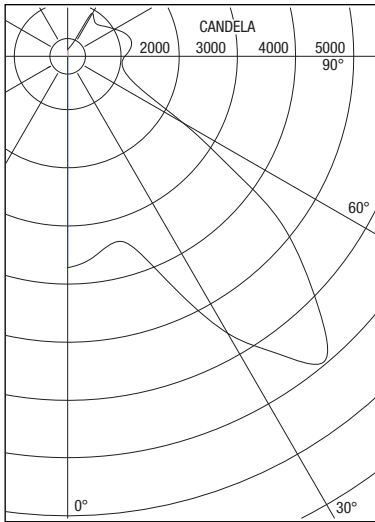
The service life of acrylic refractors is virtually unlimited when used within the recommended temperature limit. Polycarbonate refractors are subject to yellowing especially when used with high ultraviolet output light sources; this effect is enhanced at high temperatures.

## Notice

A.L.P. Lighting Components, Inc. assumes no responsibility for suitability of luminaires and applications. The use of our molded products at excessive temperatures with high UV output light sources will cause degradation of the material. Information regarding the use of lenses and refractors with Metal Halide lamps can be found in the Products/Technical Resources section of our web site at [www.alplighting.com](http://www.alplighting.com). \*See second page for important UL information.



# Models 350, 351, 360 and 361



## Photometrics

All models are available in IES Type V symmetrical distribution for general area and indoor lighting applications. An indoor application of Model 351 with LexaLite's Model 816 and a 250W HPS lamp produce the curve at left. Total luminaire efficiency is 88.9% and spacing criteria is 1.9 (ITL34827). Individual luminaire performance depends on the lamp center position and the reflector design chosen. Each luminaire design should be individually tested for proper classification. Please visit our web site for additional photometric data.

## Lumen Summary

Zone	Lumens	Lamp	Fixture
0- 30	3440.45	12.5	14.1
0- 40	7373.24	26.8	30.2
0- 60	15315.38	55.7	62.6
0- 90	18891.32	68.7	77.3
90-120	3354.68	12.2	13.7
90-130	4155.66	15.1	17
90-150	3558	19	17
90-180	3815	20.2	22.7
0-180	19370	88.9	100

Report Number: ITL34827  
 Total Luminaire Efficiency = 88.9%  
 CIE Type: Semi-direct

Tested in accordance with IES standards. Lamp is a 250 watt high pressure sodium lamp.  
 Lumen rating = 27,500. Lamp center located at 7 inches above lower rim.

## Accessory

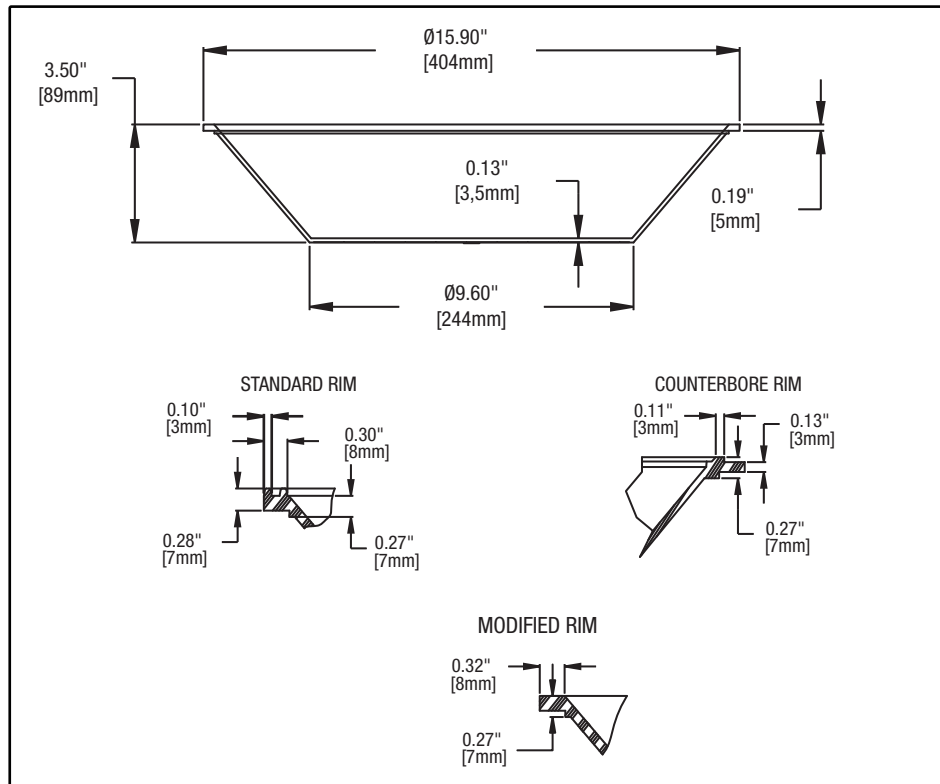
**816 stainless steel clamp band**  
 For attachment to Model 816 Reflector.

## Materials

See the LexaLite® brand price list for current part numbers and material offerings. Up-to-date and detailed material specifications can be found in the Products/Technical Resources section of our web site at [www.alplighting.com](http://www.alplighting.com).

UvaLex® is LexaLite's proprietary treatment to retard yellowing in ultraviolet environments and is standard on these polycarbonate refractors.

When using acrylic Models 350 and 351, the surface temperature of the lens should not exceed 80°C. When using polycarbonate Models 360 and 361, the surface temperature of the lens should not exceed 90°C.



**This drawing is for reference only. Actual part dimensions will vary. Customer is urged to review actual samples to confirm fit and function. All specifications and dimensions are subject to change without notice.**

**\*Effective June 30, 2010, lenses associated with this product will no longer be UL recognized components. A.L.P. LexaLite recommends the use of open rated lamps with any polymeric lens. These lenses should not be used as arc retention devices.**