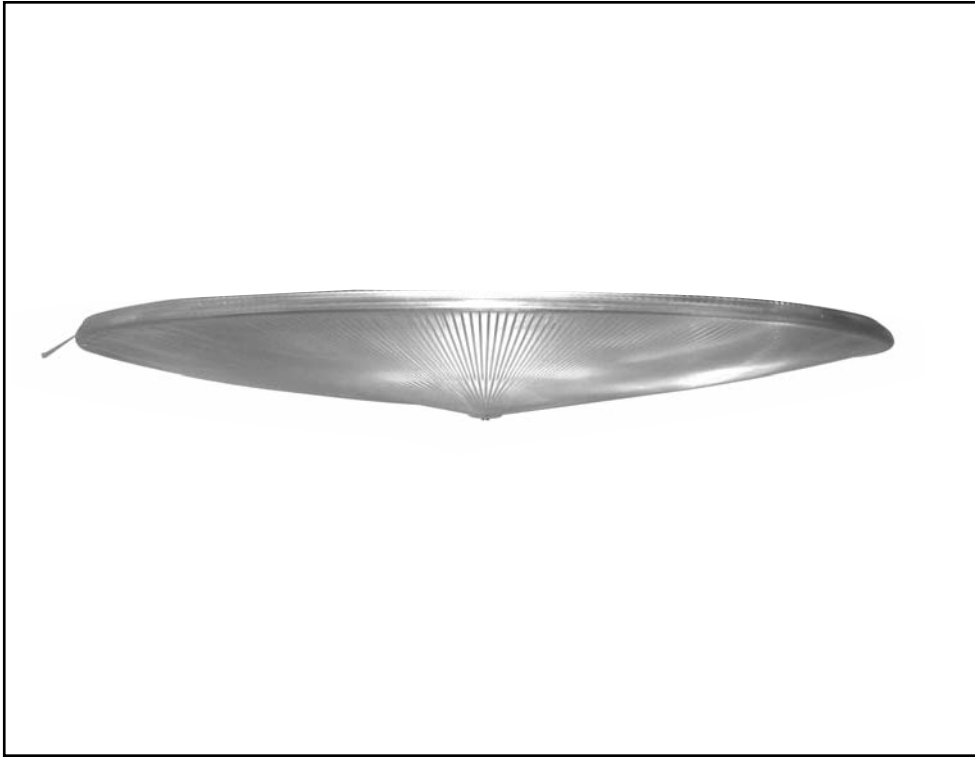


SilOptic™

Model 22SCDL



Model 22SCDL

Description

The SilOptic™ Model 22SCDL is a 22" Conical Drop Lens molded from Dur-iSil™, designed to stretch directly onto the Model 822 Reflexor® or to other reflectors of the same bottom opening diameter. Its patent-pending proprietary design allows for attachment without a clamp band or fastener. The material's natural flexibility provides a dust-tight seal when used with the 822 Reflexor.

Application

This lens is intended for applications in which temperature, certain chemicals or impact resistance make an acrylic lens unsuitable. This lens also is ideal for applications in which sealing of the lamp cavity is a benefit, or clamp bands are not desired. The 22SCDL both lifts the main beam and breaks up the lamp image. This lens has not yet been tested in accordance with UL 1598 for arc retention. Please look for the component recognition on our website.

Lamp Data

The 22SCDL may be used with up to 1000W vertically oriented HID lamps in an aluminum reflector or 400W vertically oriented HID lamps with an acrylic Reflexor, in both medium- and

low-bay lighting applications. Luminaire design, reflector configuration, lamp position and ambient temperature will affect the inside surface temperature. Thermal tests should be conducted on each luminaire design to confirm the appropriate lamp size for the application.

Ordering Information

Please call 877-257-5841 for price and delivery. Typical lead time is four to six weeks.

Service Life

The service life of Dur-iSil lenses is virtually unlimited when used within the recommended temperature limit.

Notice

A.L.P. Lighting Components, Inc. assumes no responsibility for suitability of luminaires and applications. The use of our molded products at excessive temperatures with high UV output light sources will cause degradation of the material. Information regarding the use of lenses and refractors with Metal Halide lamps can be found in the Products/Technical Resources section of our web site at www.alplighting.com. *See second page for important UL information.



Model 22SCDL

22" diameter Dur-iSil™ lens

CONICAL LENS
COMMERCIAL, INDUSTRIAL,
DECORATIVE APPLICATIONS

Efficiency: 91.8%

Uplight: 24.2% from 90-180

CIE type: Semi-Direct

Luminaire spacing criteria: 1.7

Material: Clear Dur-iSil™

800 Series Products:

9" Model 809

11" Model 811

12" Model 812

12" Model 812i interface

12" Model 812 Designer

16" Model 816

16" Model 816U lightweight

16" Model 816i interface

16" Model 16CDL Conical Drop Lens

22" Model 822

22" Model 822GV lightweight

22" Model 822i interface

22" Model 22CDL Conical Drop Lens

22" Model 22SCDL Silicone Conical Drop Lens

25" Model 825

25" Models 825A & 825M Prismatic Lenses



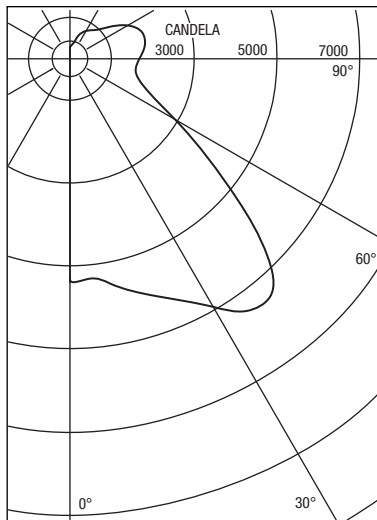
A.L.P.

LIGHTING COMPONENTS, INC.
WEB SITE: WWW.ALPLIGHTING.COM



LEXALITE

Model 22SCDL



Photometrics

Lumen Summary

Zone	Lumens	%Lamp	%Fixture
0- 30	5121	14.4	15.6
0- 40	9814	27.3	29.7
0- 60	18486	51.4	55.9
0- 90	24350	67.6	73.7
90-120	5641	15.7	17.1
90-130	6901	19.2	20.9
90-150	8219	22.8	24.9
90-180	8711	24.2	26.3
0-180	33061	91.8	100.

Report Number: LL02946
 400 watt phosphor metal halide
 822 Reflexor and Model 22SCDL lens
 Efficiency: 91.8%
 Uplight: 24.2% from 90-180
 CIE type: semi-direct
 Luminaire spacing criteria: 1.7

Accessory

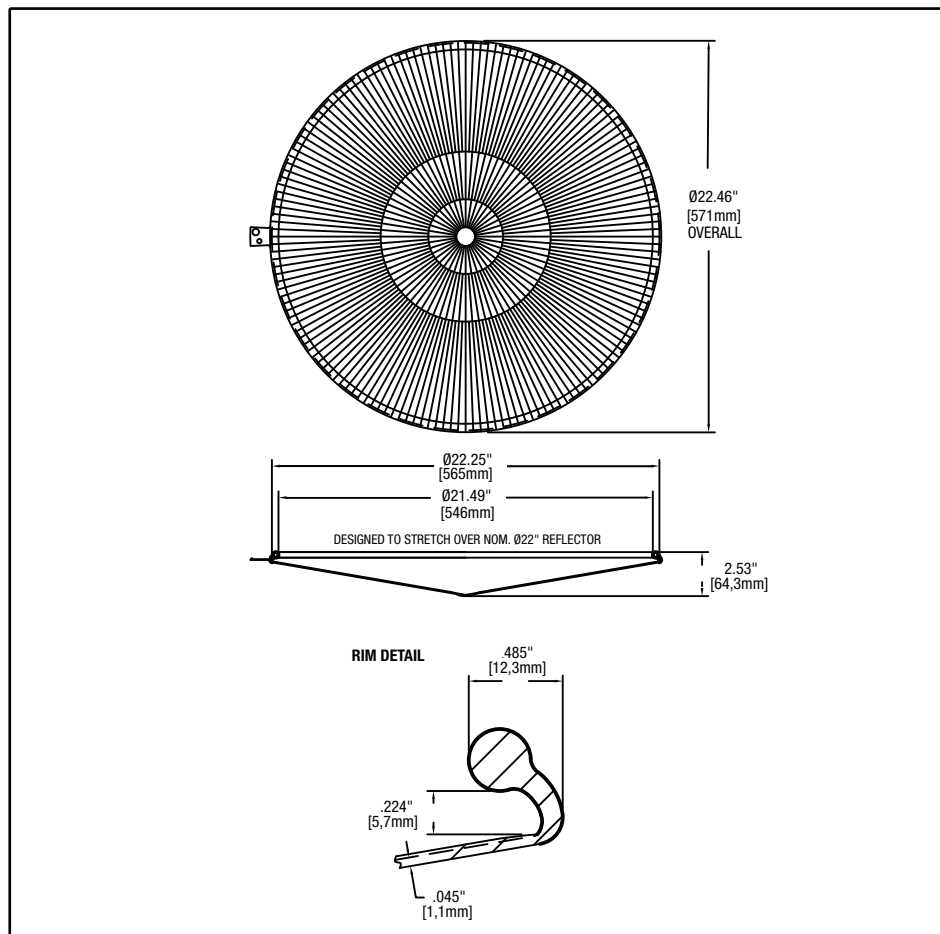
Model 822 Reflexor®.

Material:

Dur-iSil™.

See the LexaLite® brand price list for current part numbers and material offerings. Up-to-date and detailed material specifications can be found in the Products/Technical Resources section of our web site at www.alplighting.com.

When using a Dur-iSil™ Model 22SCDL, the surface temperature of the lens should not exceed 120°C.



This drawing is for reference only. Actual part dimensions will vary. Customer is urged to review actual samples to confirm fit and function. All specifications and dimensions are subject to change without notice.

***Effective June 30, 2010, lenses associated with this product will no longer be UL recognized components. A.L.P. LexaLite recommends the use of open rated lamps with any polymeric lens. These lenses should not be used as arc retention devices.**