

# LED-8090M 120W LED for HID Retrofit for Shoebox/Wallpack

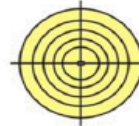


## Models

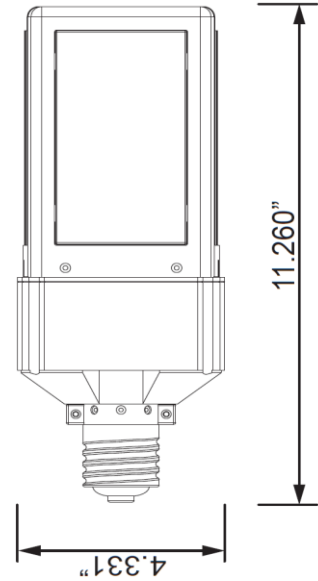
LED-8090MXX-A, 120-277VAC, ULus, 4000K or 5000K CCT, E39  
 LED-8090MXXC-A, 347VAC, cUL, 4000K or 5000K CCT, E39

## Features

- > 120W LED Replaces 400W MH or HPS HID Lamps
- > Rotatable base enables user to accurately direct output to target
- > Designed for Horizontal installations
- > UL approved for damp environments and enclosed fixtures
- > Advanced active cooling: Active cooling and dynamic temperature control
- > 50,000 hour rated LED life (supported by LM80 and ISTMT reports (see website))
- > 5 Year Limited Warranty - see website for details
- > UL1598C retains fixture UL Listing
- > Rated for enclosed fixture



Type V



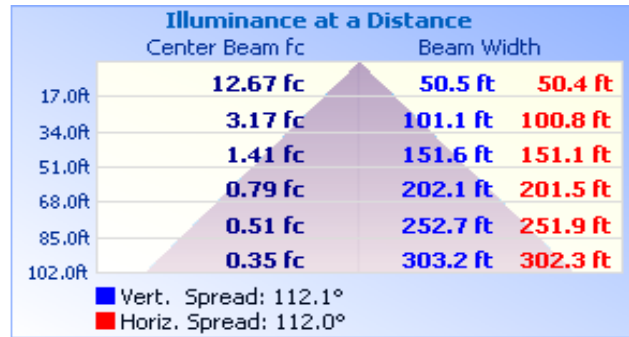
MODEL	DLC CODE
LED-8090M40-A	PCA43J3A
LED-8090M50-A	P7HNB2PA
LED-8090M40C-A	PE5NU2QP
LED-8090M50C-A	PZHSU6G

Approved Categories:  
 Replacement Lamps for Outdoor Pole/Arm-mounted Area and Roadway Luminaires (Type B)  
 Replacement Lamps for Outdoor Full Cut-Off Wall-mounted Luminaires (Type B)

## Technical Specifications

Models US/CAN	LED-8090M30-A	LED-8090M40-A	LED-8090M50-A	LED-8090M40C-A	LED-8090M50C-A
	USA			Canada	
CCT	3000K	4000K	5000K	4000K	5000K
Power Consumption	120 watts				
Replaces	400 MH/HPS				
Mounting	E39				
Voltage	120-277VAC			347VAC	
LED Type	CREE XTE				
Beam Angle	Type V				
Dimmable	No				
Operating Temp	-40°F - +122°F				
Rated R70 Life	Up to 50,000 Hrs.				
Warranty	5 Year Limited*				

## Lux Distance Curve



## Installation Notes:

- Ballast must be bypassed
- Installing surge/lightning protectors is highly recommended

LM79 Specifications	No	Yes	Yes	Yes	Yes
Power (W)	115.74	114.9	114.5	119.1	119.6
CCT	3037	3835	4915	3995	4956
Light Output	10157	11605	11760	12293	12590
Efficacy	87.76	101	102.71	103	105
THD @ 277V	13.39%	12.45%	12.29%	13.30%	13.59%
PF @ 277V	0.985	0.98	0.97	0.96	0.97
CRI:	83.2	73.4	73.8	73.7	73.8
R9	15	0	0	0	0
Duv	0.0001	0.0024	-0.0009	-0.0001	0.0012

LED Power Consumption (Watts)	HID Power Consumption (Watts)	HID Ballast Power Consumption (Watts)	Total Savings (Watts)	Annual Energy Savings (14 hrs/day)	Lifetime Energy Savings (over 50,000 hrs)
120	400	80	360	\$202	\$1,980.00

Packaging	9 / Master Carton
Unit	6.6"x 6.6"x 12.9" 2.9lbs.
Master	20.7"x 18.5" x 13.8" 25.5 lbs.

Mounting Orientation			Minimum Fixture Size Requirements (inches)	
Base Up	Base Down	Horiz	Length	Width
			13.26	6.33
			Height	6.33
			Cu. Inches	531.3
Approved	Approved	Approved		



188 S. Northwest Highway • Cary, IL 60013  
 (847) 380-3540 • FAX: (847) 380-3542  
 www.led-llc.com

