

LED-8087M-A 30W LED for HID Retrofit for Shoebox/Wallpack

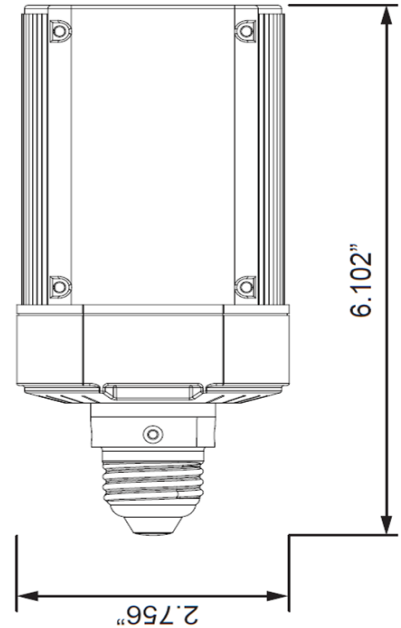


Models

LED-8087MXX-A, 120-277VAC, cULus, 4000K or 5700K CCT, E39
 LED-8087MXXC-A, 347VAC, cUL, 4000K or 5700K CCT, E39

Features

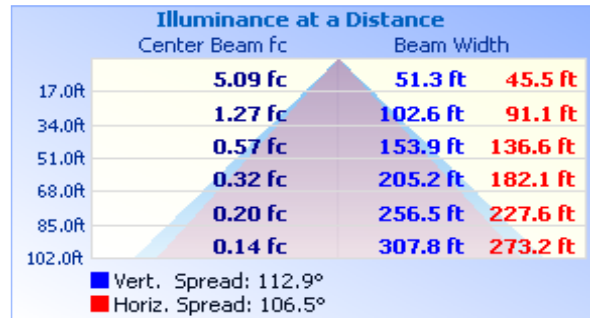
- > 30W LED Replaces 100W MH or HPS HID Lamps
- > Rotatable base enables user to accurately direct output to target
- > Designed for Horizontal installations
- > UL approved for damp environments and enclosed fixtures
- > Advanced active cooling: Active cooling and dynamic temperature control
- > 50,000 hour rated LED life (supported by LM80 and ISTMT reports (see website))
- > 5 Year Limited Warranty - see website for details
- > UL1598C retains fixture UL Listing
- > Rated for enclosed fixture



Technical Specifications

Models US/CAN	LED-8087M40-A	LED-8087M57-A	LED-8087M40C-A	LED-8087M57C-A
CCT	4000K	5700K	4000K	5700K
Power Consumption	30 watts			
Replaces	100 MH/HPS			
Mounting	E39			
Voltage	120-277VAC (USA) 347VAC (CANADA)			
LED Type	2835			
Beam Angle	Type V			
Dimmable	No			
Operating Temp	-40°F - +122°F			
Rated R70 Life	Up to 50,000 Hrs.			
Warranty	5 Year Limited*			
LM79 Specifications	Yes	Yes	Yes	Yes
Power (W)	32.85	32.79	31.23	31.26
CCT	4041	5636	4046	5636
Light Output	4171	4225	3992	4058
Efficacy	126.97	128.85	127	129
THD @ 277V	11.65%	11.76%	<20%	<20%
PF @ 277V	92	92	96	97
CRI:	83.5	84.4	83.8	84.6
R9	11	9	12	12
Duv	0.0005	0.0034	0.0004	0.0018
Packaging	9 / Master Carton			
Unit	4.3"x 4.1"x 7.6" X.X lbs.			
Master	13.8"x 13.1" x 8.3" XX.X lbs.			

Illuminance Plots



Installation Notes:

- Ballast must be bypassed
- Installing surge/lightning protectors is highly recommended

LED Power Consumption (Watts)	HID Power Consumption (Watts)	HID Ballast Power Consumption (Watts)	Total Savings (Watts)	Annual Energy Savings (14 hrs/day)	Lifetime Energy Savings (over 50,000 hrs)
30	100	20	90	\$51	\$495.00

Mounting Orientation			Minimum Fixture Size Requirements (inches)	
Base Up	Base Down	Horiz	Length	Width
			8.1	4.7
Approved	Approved	Approved	Height	4.7
			Cu. Inches	178.9



188 S. Northwest Highway • Cary, IL 60013
 (847) 380-3540 • FAX: (847) 380-3542
 www.led-llc.com