

EL Surface Mount Shroud Kit

1x4 (2-light only), 2x2 and 2x4 housings



General Description

Surface mount shroud converts recessed lay-in troffer housings into surface mount fixtures when utilized with A.L.P.'s EL fixture body and ends. Operational with most versions of the 1x4 (2-light only), 2x2 and 2x4 housings, the shroud frame accommodates prismatic lenses, celled louvers and diffusers of all types (not included).

Features and Benefits

- Converts recessed lay-in EL Troffer to a surface mount fixture when installed around body and ends
- Available for 1x4 (2 light only), 2x2, and 2x4
- Shrouds feature pre-punched wire hanging holes for suspension applications
- U-shaped channel design for rigidity

Applications

For use in commercial applications.

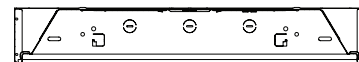
Notice

Dimensions subject to change without notice. This product is an OEM component kit requiring final assembly by a qualified OEM fixture manufacturer.

THIS PRODUCT IS NOT A COMPLETE FIXTURE ASSEMBLY.

Ordering Information

Please call 877-257-5841 for price and delivery.



EL Surface Mount Shroud Kit

for 1x4 (2-light only), 2x2 and 2x4 housings

Specifications

Housing:

Die-formed
23-gauge cold rolled steel

Housing Data:

EL troffer kits to be ordered separately (see EL datasheets)

Kit Height:

3.92"

Hardware:

Shroud requires 12 rivets for assembly (not included)

Shroud attaches to EL fixture with No. 8 1/4"-head washer head screws (not included)

Ceiling mount hardware varies with installation and application (not included)

Finish:

White polyester polymer

EL Surface Mount Shroud Kit

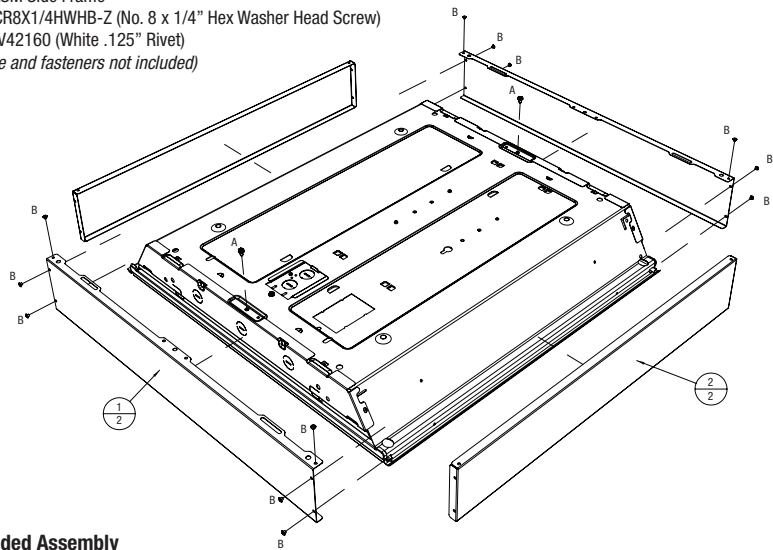
1x4 (2-light only), 2x2 and 2x4 housings

Kit Number	Description	
EL-1x4-SHROUD	EL Shroud 1x4 Kit (2-Light only)	
Part Number	Component Description	Qty
ELSM-1F-E	ELSM 1F end frame	2
ELSM-4F-S	ELSM 4F side frame	2

Kit Number	Description	
EL-2x2-SHROUD	EL Shroud 2x2 Kit	
Part Number	Component Description	Qty
ELSM-2F-E	ELSM 2F end frame	2
ELSM-2F-S	ELSM 2F side frame	2

Kit Number	Description	
EL-2x4-SHROUD	EL Shroud 2x4 Kit	
Catalog Number	Component Description	Qty
ELSM-2F-E	ELSM 2F end frame	2
ELSM-4F-S	ELSM 4F side frame	2

1 = ELSM End Frame
 2 = ELSM Side Frame
 A = SCR8X1/4HWHB-Z (No. 8 x 1/4" Hex Washer Head Screw)
 B = RIV42160 (White .125" Rivet)
 (Fixture and fasteners not included)



Exploded Assembly

Hardware for shroud assembly, attachment and mounting not supplied. Hardware must be ordered separately or provided by end user.

Recommended Hardware

Catalog Number	Description	Qty
SCR8001	No. 8-18 x 1/4" Hex/Slot/Phillips Screw	2*
RIV42160	White 1/8" Rivet	12

Ceiling mount hardware NOT SUPPLIED. Customer and/or end user required to add mounting holes to troffer to match ceiling mounting devices such as stems, brackets, anchors, etc. Hardware must properly and safely secure luminaire to ceiling and ceiling structure, installed by a qualified professional and meet any local codes.

Fixture may be suspension mounted utilizing proper suspension cable and hardware (not included) by attachment to shroud after installation.

EL 1x4 SHROUD kit not compatible with one and three light EL 1x4 troffers due to ballast box being taller than shroud kit.

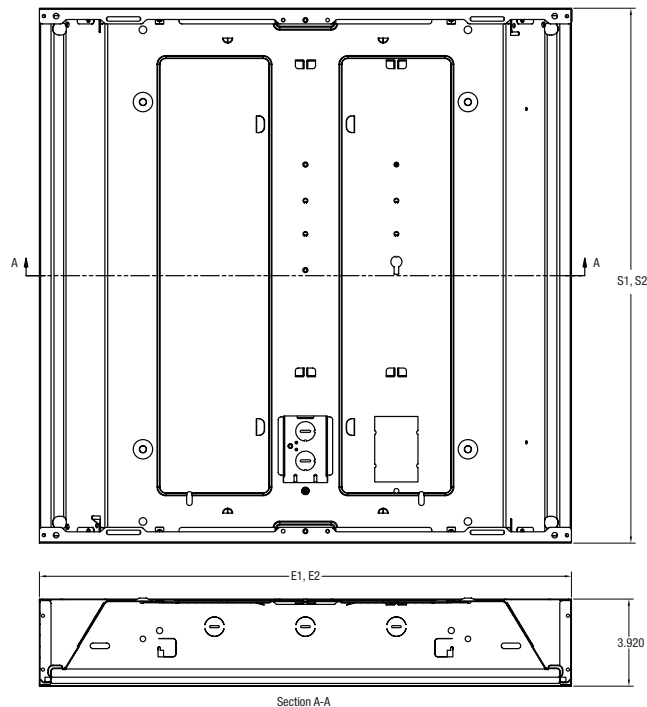
*EL 1x4 shroud requires (4) No. 8 x 1/4" hex washer head screws for assembly.

Notice

Dimensions subject to change without notice. This product is an OEM component kit requiring final assembly by a qualified OEM fixture manufacturer.

THIS PRODUCT IS NOT A COMPLETE FIXTURE ASSEMBLY.

Product Dimensions



EL Shroud Assembly Variation Length

Dimension	ELSM 1x4	ELSM 2x2	ELSM 2x4
E1, E2	E1 = 11.843"	E2 = 23.938"	E2 = 23.938"
S1, S2	S1 = 48.071"	S2 = 24.071"	S1 = 48.071"

ELSM 020614



6333 Gross Point Road • Niles, IL 60714 USA
 773-774-9550 Tel. • 773-774-9331 Fax • Direct
 877-257-5841 Tel. • 800-438-2500 Fax • Toll Free
www.alplighting.com